



BAUER

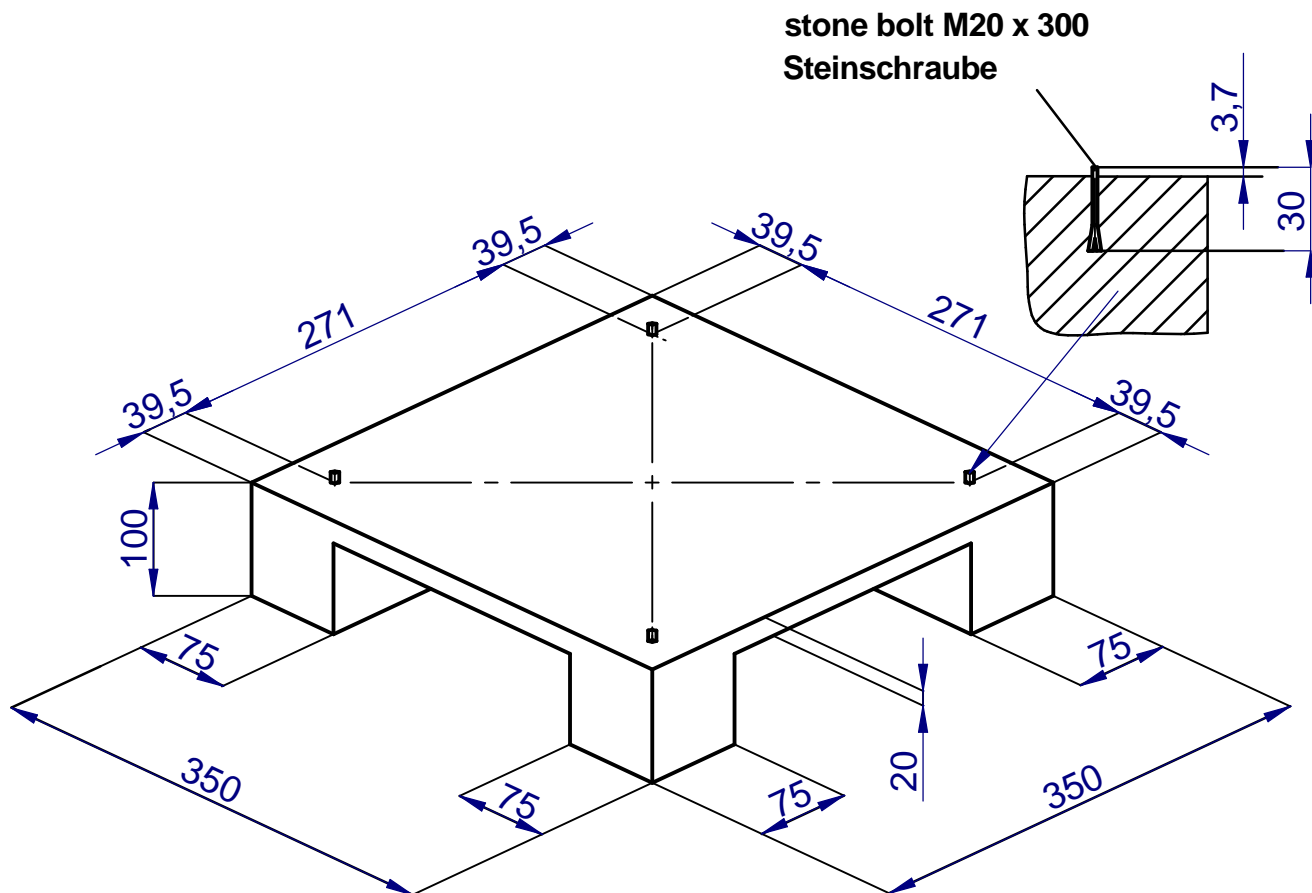
FOR A GREEN WORLD

**FUNDAMENTPLÄNE /
FOUNDATION LAYOUTS**

**Version: 08/2015
850 9965.4**

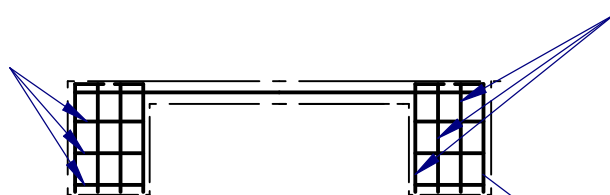
CENTERSTAR 5000/9000 - 203/168 EL - 3,7m

Concrete base / Betonfundament



Concrete/Beton: 350 kg/m³
Volume: 4,3 m³

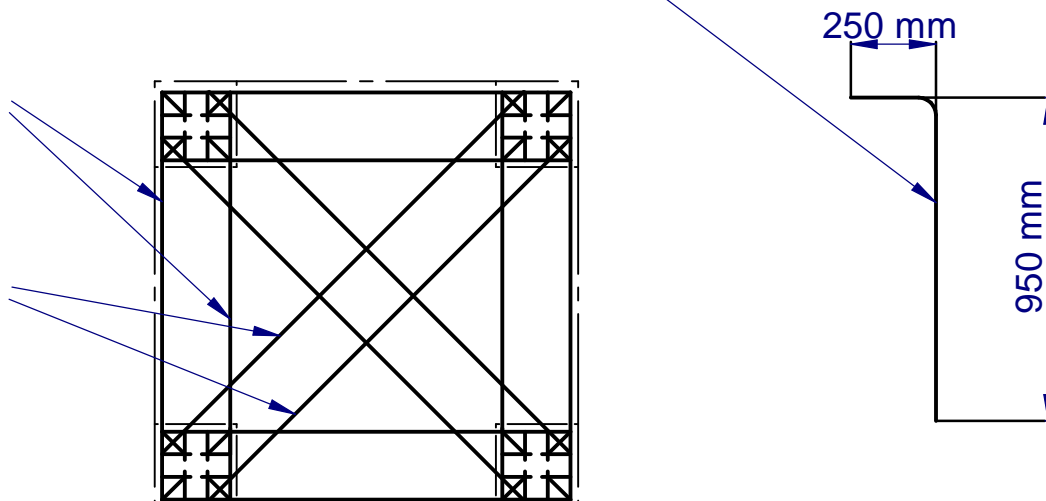
3x4x4 pcs. concrete steel
Stk. Rippentorstahl
Ø 8 x 600 x 600 mm



4 x 12 pcs. concrete steel
Stk. Rippentorstahl
Ø 8 x 1200 mm

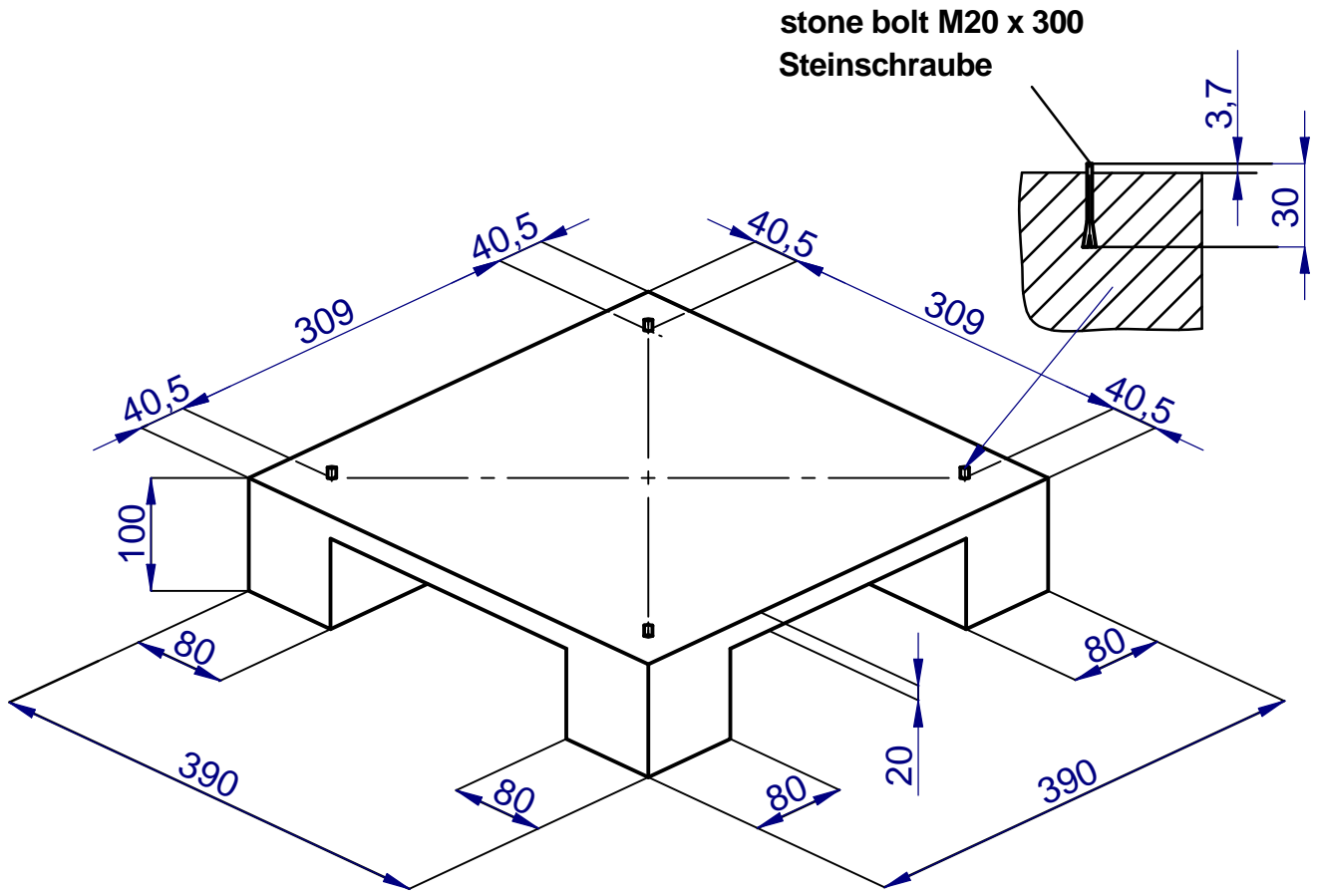
8 pcs. concrete steel
Stk. Rippentorstahl
Ø 10 x 3350mm

4 pcs. concrete steel
Stk. Rippentorstahl
Ø 10 x 4700 mm



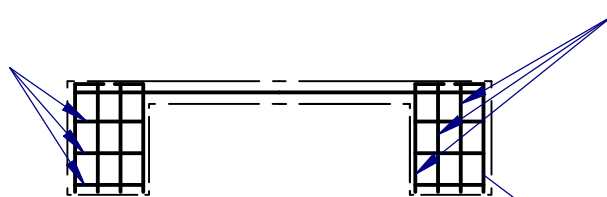
CENTERSTAR 5000/9000 - 203/168 E - 4,2m

Concrete base / Betonfundament



Concrete/Beton: 350 kg/m³
Volume: 5,1 m³

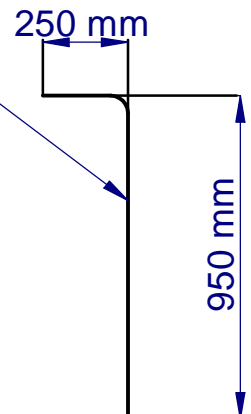
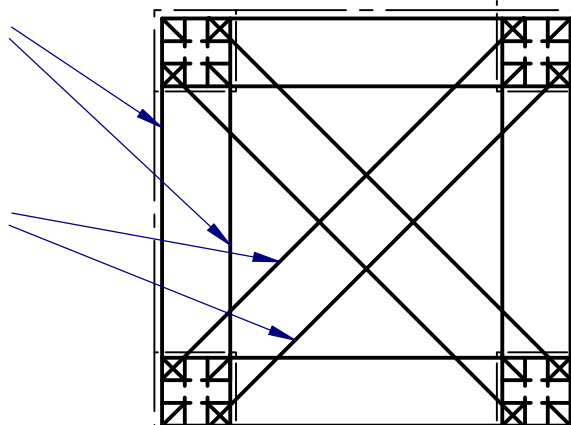
3x4x4 pcs. concrete steel
 Stk. Rippentorstahl
 Ø 8 x 600 x 600 mm



4 x 12 pcs. concrete steel
 Stk. Rippentorstahl
 Ø 8 x 1200 mm

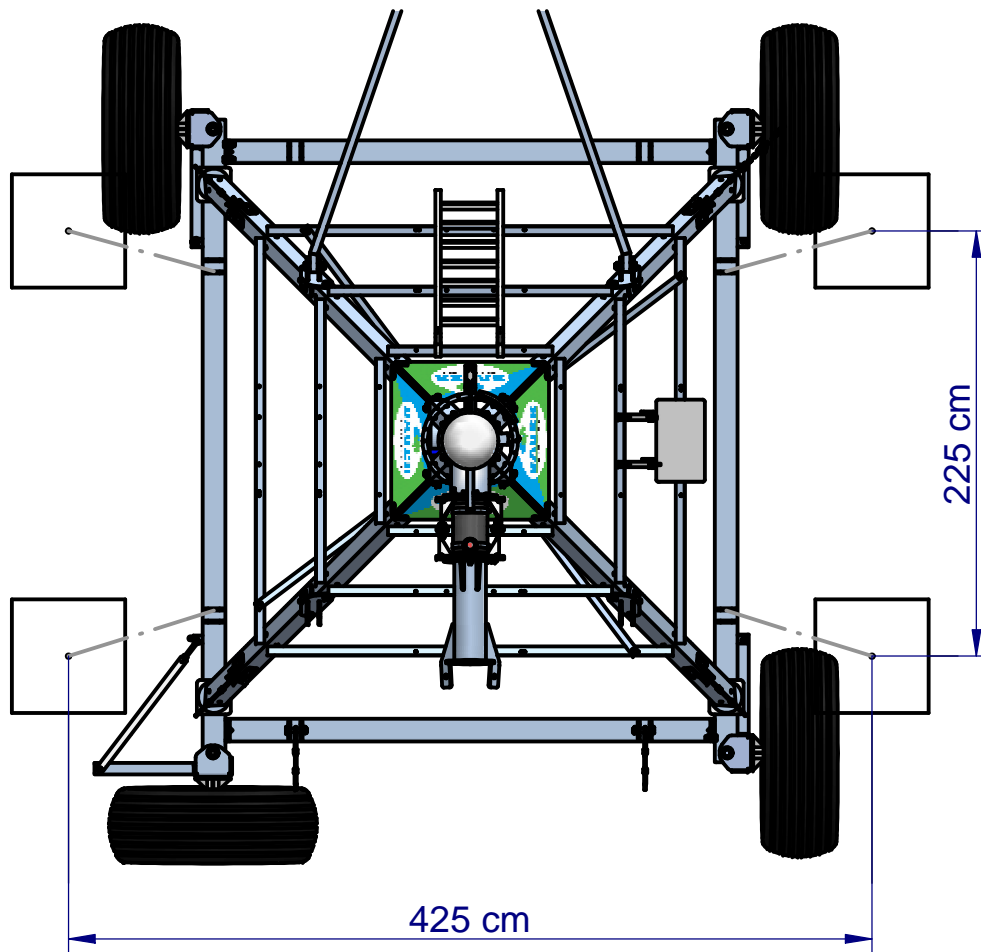
8 pcs. concrete steel
 Stk. Rippentorstahl
 Ø 10 x 3700mm

4 pcs. concrete steel
 Stk. Rippentorstahl
 Ø 10 x 5200 mm



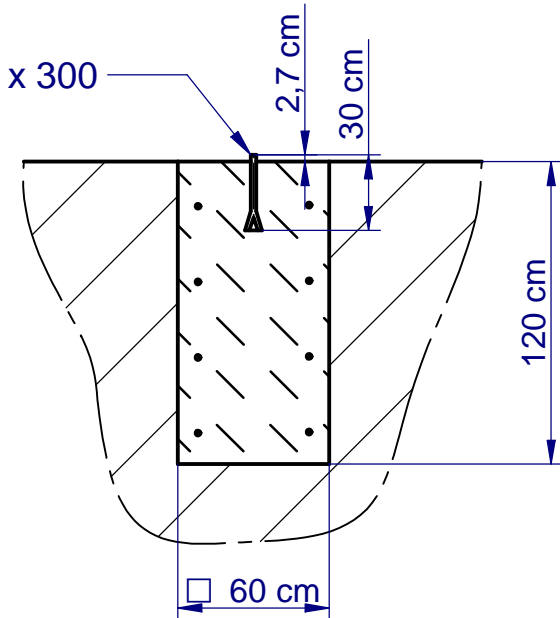
CENTERSTAR 5000/9000 - 203/168 - überziehbar / towable 4-Rad Zentralturmwagen / 4-wheel cart

Concrete base / Betonfundament

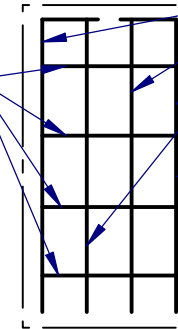


Concrete/Beton: 350 kg/m³
Volume: 1,75 m³

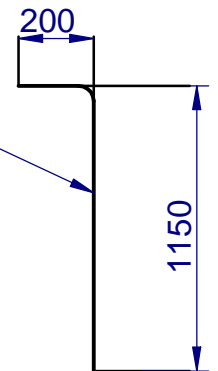
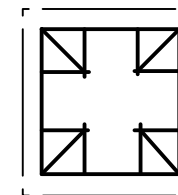
stone bolt M20 x 300
Steinschraube



4x4x4 pcs. concrete steel
Stk. Rippentorstahl
Ø 8 x 450 x 450 mm



4 x 12 pcs. concrete steel
Stk. Rippentorstahl
Ø 8 x 1350 mm



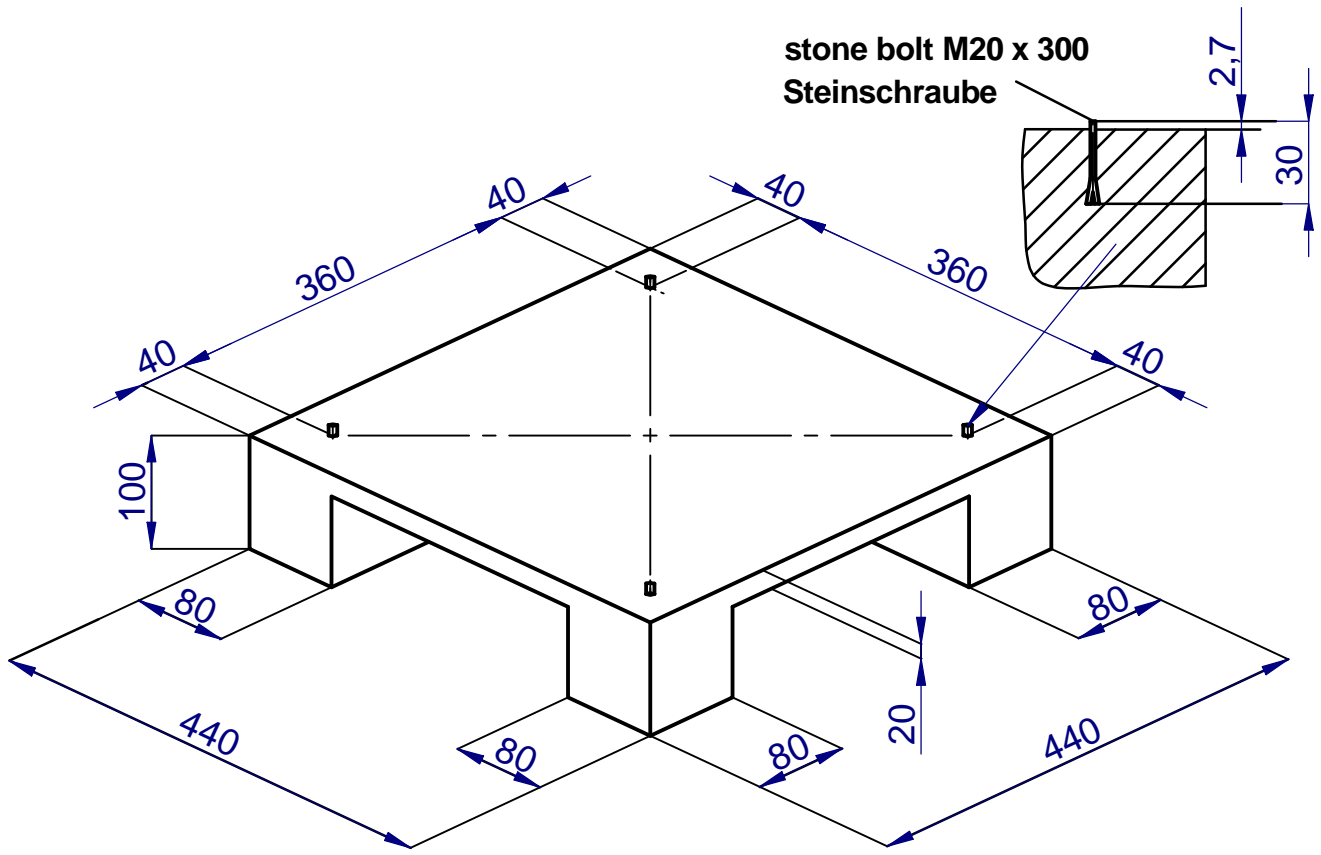
850 9399.4



BAUER
FOR A GREEN WORLD

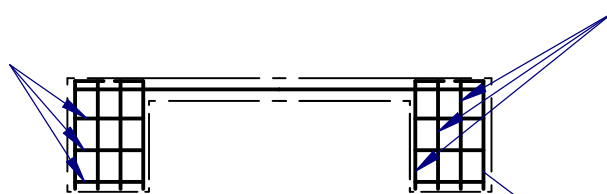
CENTERSTAR 5000/9000 - 203/168 EL

überziehbar mit Kufen / towable with skids
Concrete base / Betonfundament



Concrete/Beton: 350 kg/m³
Volume: 5,9 m³

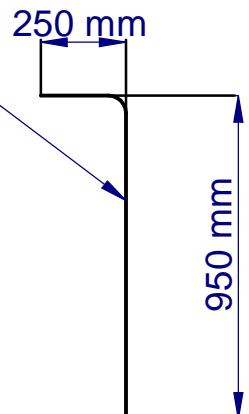
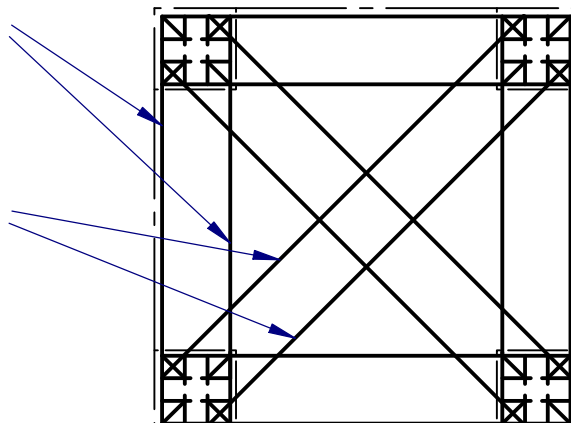
3x4x4 pcs. concrete steel
Stk. Rippentorsteel
Ø 8 x 600 x 600 mm



4 x 12 pcs. concrete steel
Stk. Rippentorsteel
Ø 8 x 1200 mm

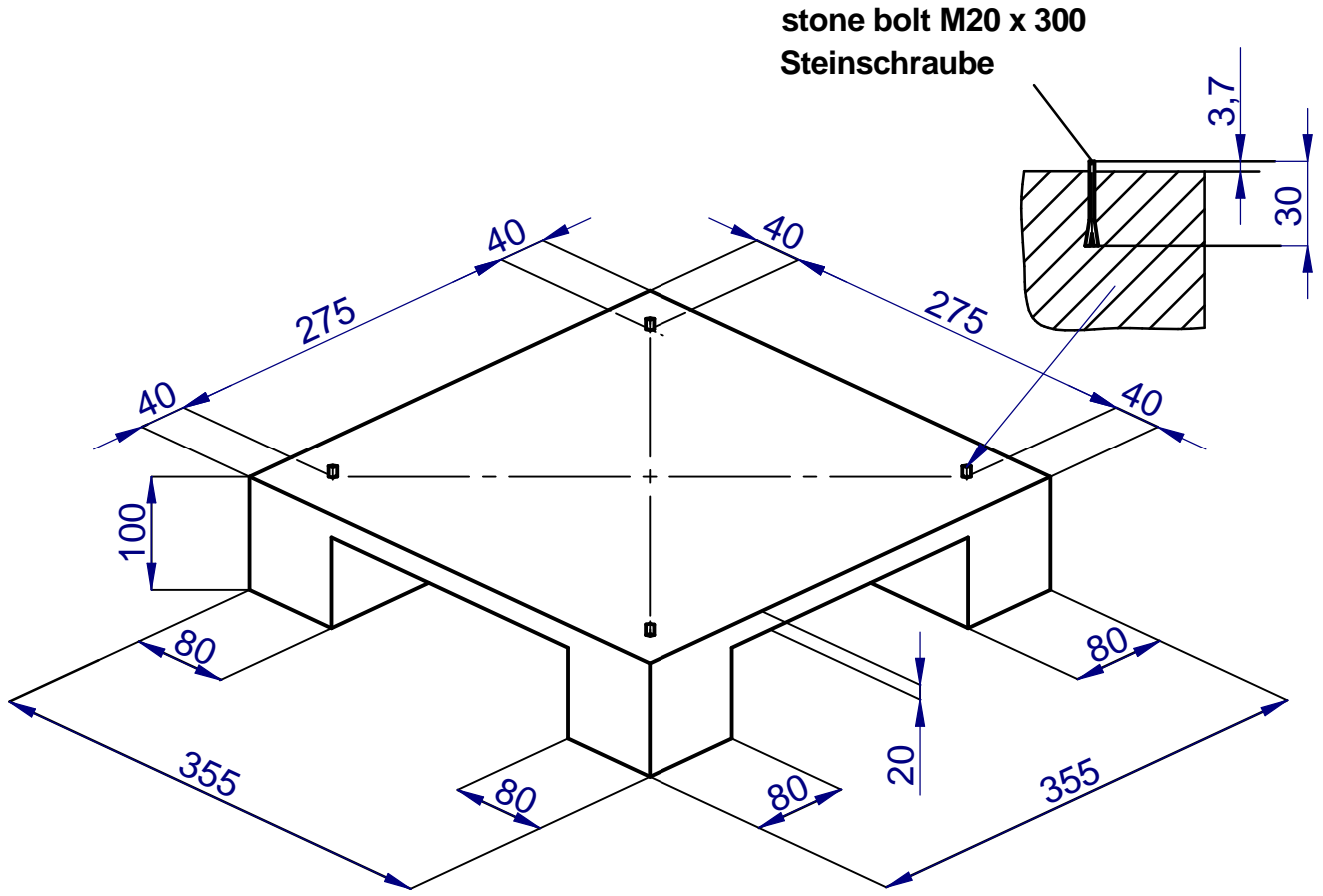
8 pcs. concrete steel
Stk. Rippentorsteel
Ø 10 x 4200mm

4 pcs. concrete steel
Stk. Rippentorsteel
Ø 10 x 5600 mm



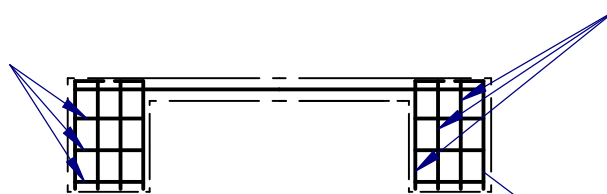
CENTERSTAR 9000 - 254/219 EL - 3,7m

Concrete base / Betonfundament



Concrete/Beton: 350 kg/m³
Volume: 4,57 m³

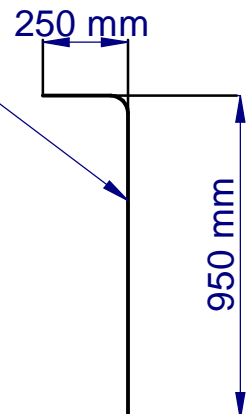
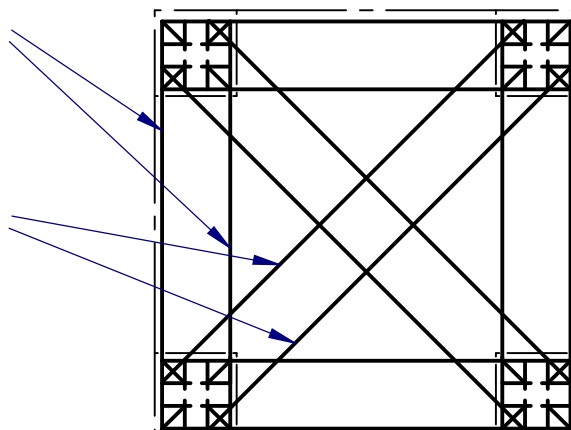
3x4x4 pcs. concrete steel
Stk. Rippentorstahl
Ø 8 x 600 x 600 mm



4 x 12 pcs. concrete steel
Stk. Rippentorstahl
Ø 8 x 1200 mm

8 pcs. concrete steel
Stk. Rippentorstahl
Ø 10 x 3350mm

4 pcs. concrete steel
Stk. Rippentorstahl
Ø 10 x 4700 mm

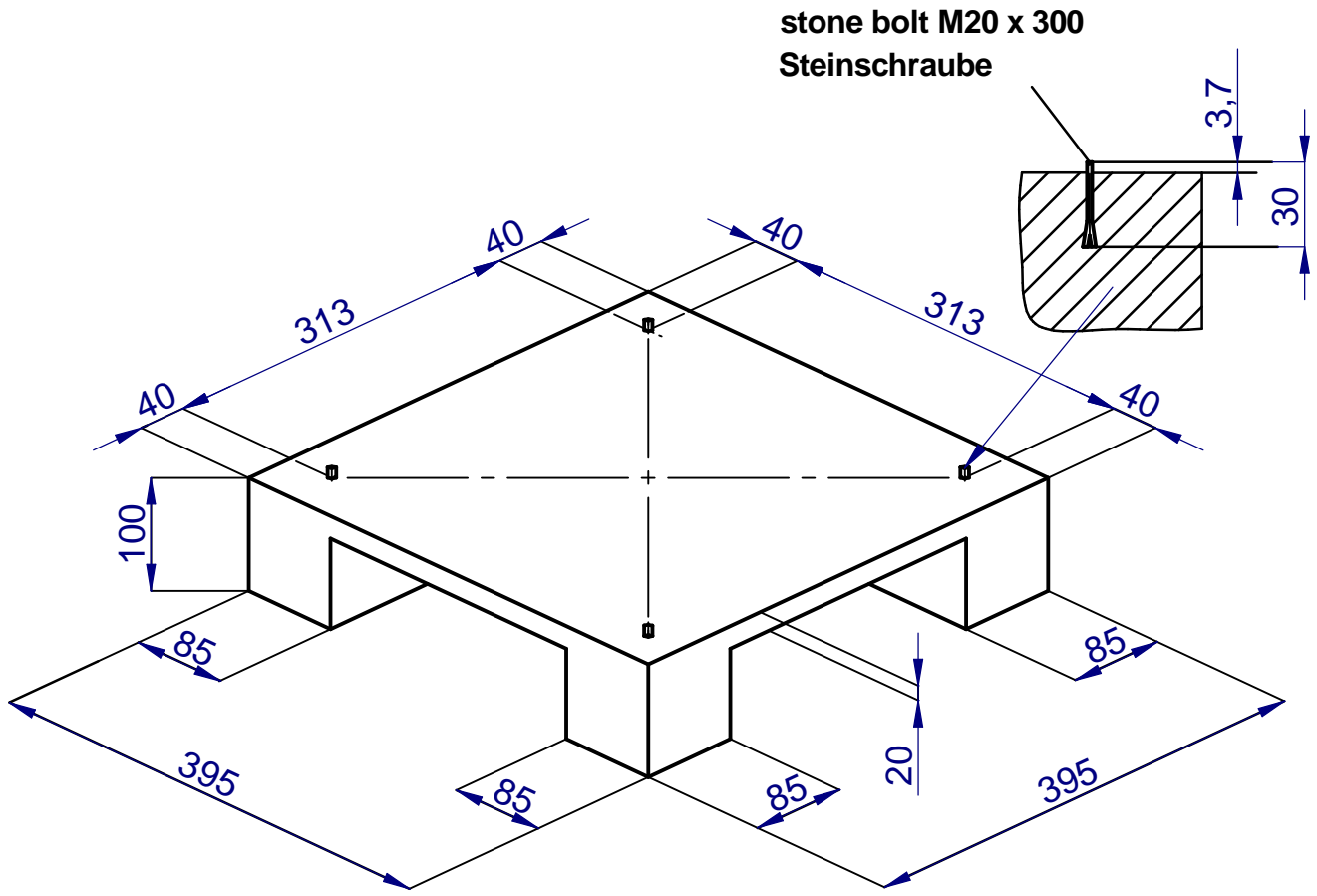


BAUER
FOR A GREEN WORLD

850 9927.4

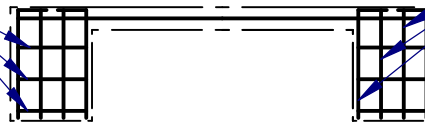
CENTERSTAR 9000 - 254/219 E - 4,2m

Concrete base / Betonfundament



Concrete/Beton: 350 kg/m³
Volume: 5,43 m³

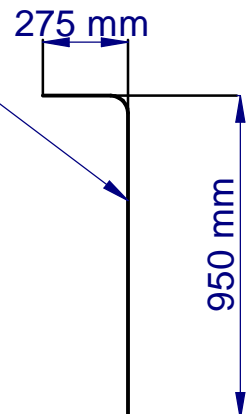
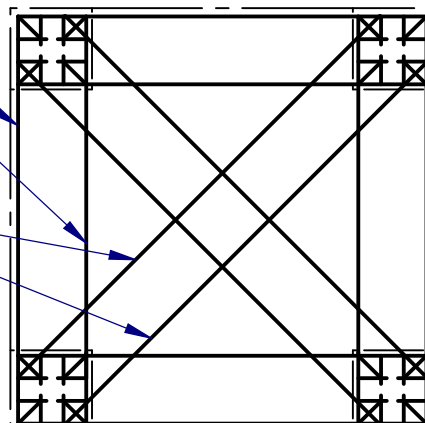
3x4x4 pcs. concrete steel
 Stk. Rippentorstahl
 Ø 8 x 600 x 600 mm



4 x 12 pcs. concrete steel
 Stk. Rippentorstahl
 Ø 8 x 1225 mm

8 pcs. concrete steel
 Stk. Rippentorstahl
 Ø 10 x 3700mm

4 pcs. concrete steel
 Stk. Rippentorstahl
 Ø 10 x 5200 mm

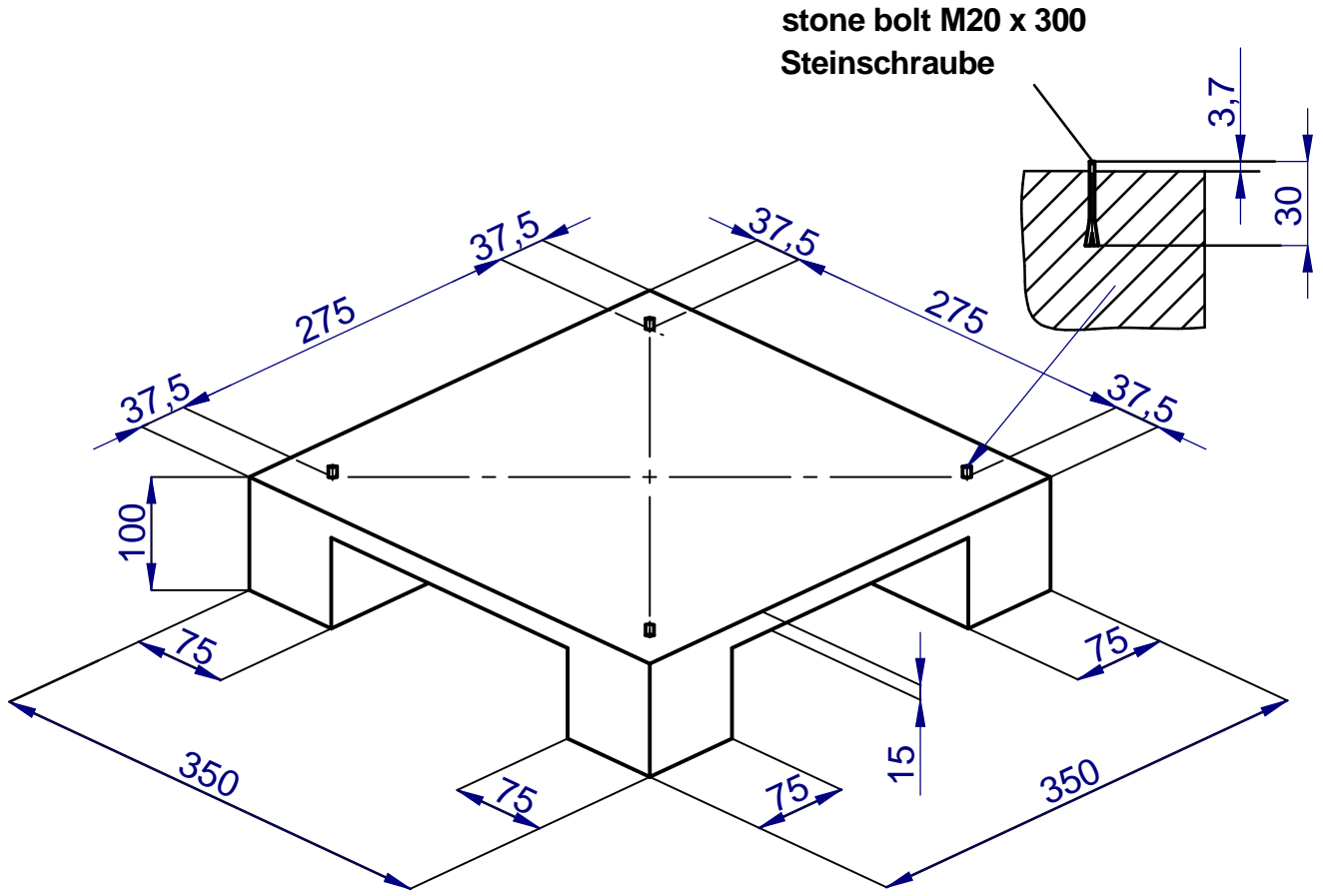


BAUER
 FOR A GREEN WORLD

850 9954.4

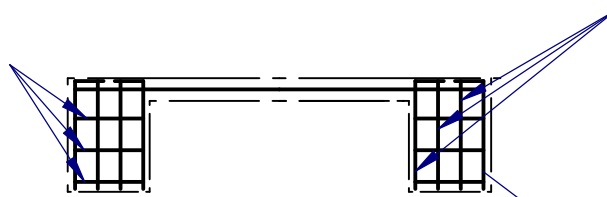
CENTERSTAR 9000 - 168/133 EL - 3,7m

Concrete base / Betonfundament



Concrete/Beton: 350 kg/m³
Volume: 3,75 m³

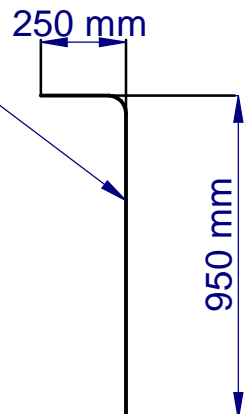
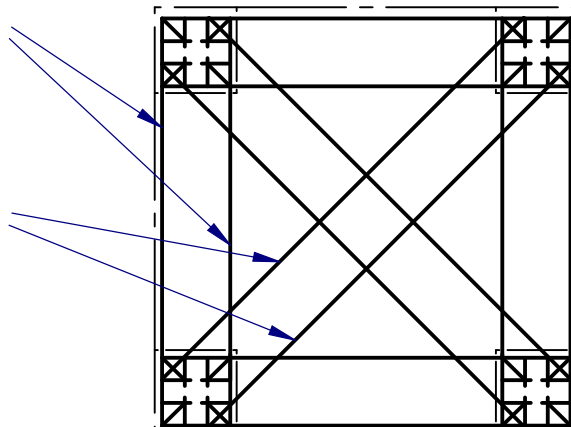
3x4x4 pcs. concrete steel
Stk. Rippentorstahl
Ø 8 x 600 x 600 mm



4 x 12 pcs. concrete steel
Stk. Rippentorstahl
Ø 8 x 1200 mm

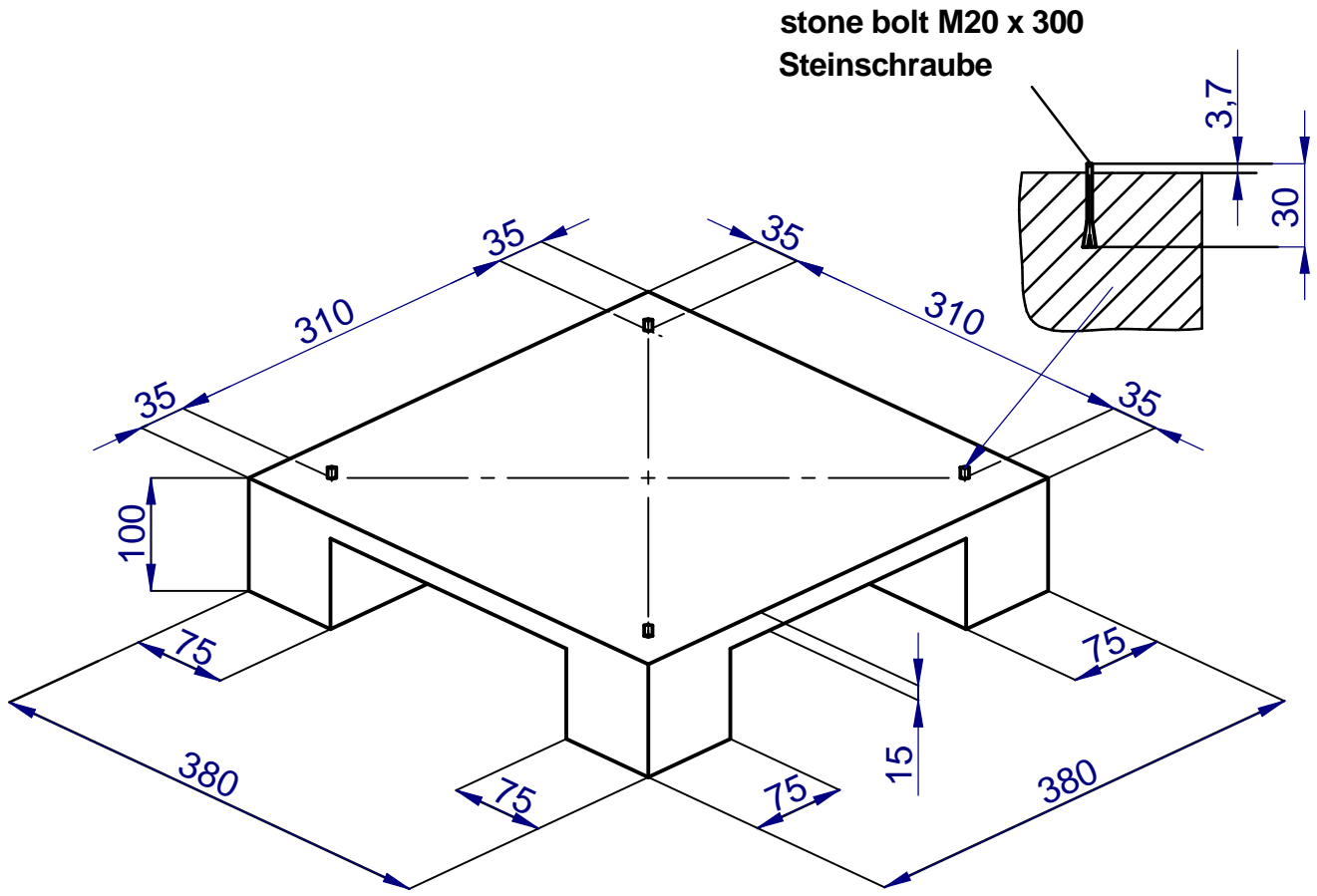
8 pcs. concrete steel
Stk. Rippentorstahl
Ø 10 x 3350mm

4 pcs. concrete steel
Stk. Rippentorstahl
Ø 10 x 4700 mm



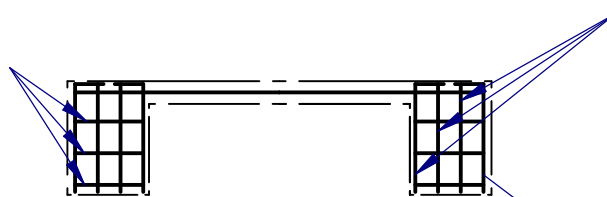
CENTERSTAR 9000 - 168/133 E - 4,2m

Concrete base / Betonfundament



Concrete/Beton: 350 kg/m³
Volume: 4,1 m³

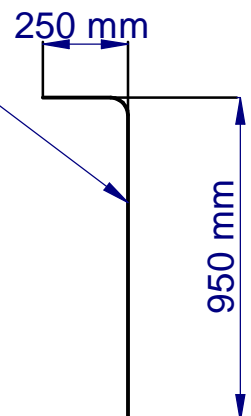
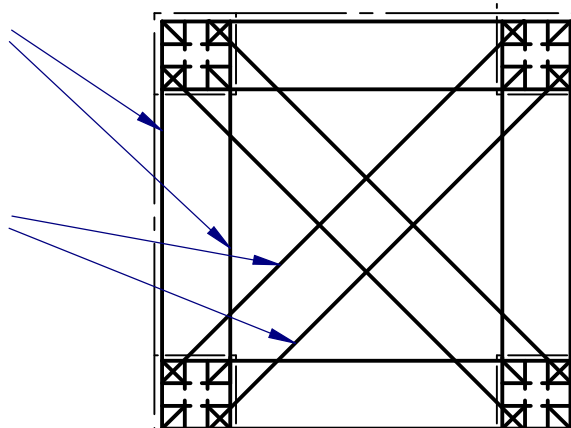
3x4x4 pcs. concrete steel
Stk. Rippentorstahl
Ø 8 x 600 x 600 mm



4 x 12 pcs. concrete steel
Stk. Rippentorstahl
Ø 8 x 1200 mm

8 pcs. concrete steel
Stk. Rippentorstahl
Ø 10 x 3700mm

4 pcs. concrete steel
Stk. Rippentorstahl
Ø 10 x 5200 mm



Notizen



FOR A GREEN WORLD